

STEEL STOVES

ACR   
STOVES

WOODBURNING & MULTIFUEL  
STOVE AND INSERT RANGE



STOVES YOU CAN REALLY ENJOY



British Designed  
Stoves



## C O N T E N T S

03 | Introduction

04 | Essential stove information

06 | Stoves and the environment

### STEEL STOVE RANGE

08 | Wychwood : 5 kw • woodburner

10 | Earlswood III : 5 kw • multifuel

12 | Malvern II : 5 kw • multifuel

14 | Malvern II Classic : 5 kw • multifuel

16 | Astwood II : 5 kw • multifuel

18 | Buxton II : 5 kw • multifuel

20 | Hopwood : 6 kw • multifuel

### STEEL FIREPLACE INSERT RANGE

22 | Tenbury T400 : 5 kw • multifuel

24 | Tenbury T550 : 5 kw • multifuel

### SPECIFICATIONS AND ACCESSORIES

26 | Stove specifications

29 | Installation information

29 | Warranty and stove accessories



## WOODBURNING & MULTIFUEL STEEL STOVE AND INSERT RANGE

With over thirty years experience designing some of the world's finest woodburning and multifuel stoves we are pleased to introduce a new range of premium quality products - designed and engineered from the ground up to meet the needs of contemporary room heating.

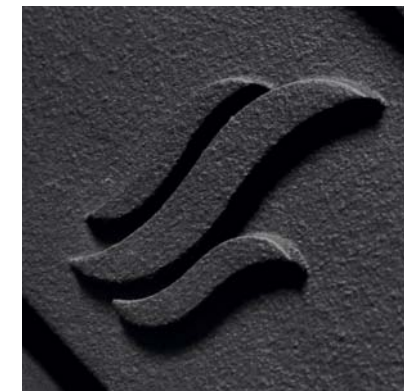
We offer four ranges of stoves - steel, cast iron, contemporary and our electric range (please ask your dealer for additional brochures).

Each range of stoves offers its own distinct style and character. Whichever you choose, all of our stoves are built for a lifetime of dependable use, feature a 10 year warranty and are available in a durable traditional stove paint finishes.

Featuring large ceramic glass door panels you will enjoy a stunning view of the fire, especially as the glass is continually swept clear of combustion deposits by a powerful airwash system.

Cleanburn technology and a lined firebox ensure that you get the maximum efficiency from your fuel supplies - whether you choose to burn wood or solid fuel. Our entire range is 'Smoke Exempt' which means that you can even use our stoves to burn wood in smoke controlled zones.

With outputs optimised to suit most homes requirements our stoves offer warmth, charm and dependability.



# Sophisticated on the outside... sophisticated on the inside...

## 1 SOLID CONSTRUCTION

Our stoves embody 30 years of design experience and are manufactured only from premium grade materials to withstand the high combustion temperatures and for many years of enjoyable dependability.

## 2 AIRWASH SYSTEM

Combustion can produce deposits that build up on the inside of your stove, causing the glass door panel to become obscured. Our airwash system is designed to sweep away these deposits leaving a clear view of the fire.

## 3 CLEANBURN TECHNOLOGY

Our highly efficient cleanburn combustion means more heat to your room and less harmful emissions to the atmosphere.

## 4 LINED FIREBOX

More heat is retained for keeping you warm and our lining system also helps to keep the stove clean on the inside.

## 5 ADJUSTABLE LOG GUARD

Simple to adjust between single or double height to suit your fuel - whether using logs or loading up with solid fuel.

## 6 STRAIGHTFORWARD CONTROLS

Front mounted controls make it an easy task to get your stove under fire and to then maintain consistent output.

## 7 EASY TO MAINTAIN

Our traditional stove paint finish can be wiped down when cool. A specialist ACR stove paint spray is available should you need to restore your stove's finish.

1

2

3

4

5

6

7



All of our stoves are designed with a range of sophisticated features and a traditional stove paint finish.

Please see page 29 for ten year warranty information.



All SIA Approved stoves in this brochure feature this logo\*.

# Essential stove information

## STOVE CONSTRUCTION

Our steel stove range features stove bodies made from premium grade heavy gauge steel with a solid cast iron door, grate and log guard. We use a heavier gauge of steel than most stoves to ensure many years of service and reliability. A solid cast iron door creates the defining finishing style to this stove range.

## OUTPUTS

ACR Stoves produce varying degrees of heat. In order to calculate whether an appliance will be suitable for your room please consult your local dealer for advice. As a general rule of thumb you will need approximately 1 Kw of heat for every 14 cubic metres of room-space (based on an outdoor temperature of 0°C). Measure your room's height, width and depth to obtain a total cubic metres figure and divide by 14. This calculation can be influenced by other factors such as levels of insulation and number of windows, so treat your final figure as a guideline only. Your dealer will be happy to provide you with a more accurate calculation.

## SMOKE EXEMPT

Smoke Exempt means that you can now burn wood in designated smoke controlled zones. All the stoves in this brochure are fully approved as Smoke Exempt by DEFRA, this requires that the stove is used in accordance with the users manual. Visit [www.defra.gov.uk](http://www.defra.gov.uk) for further information.



## SIA APPROVAL

In 2022 a new European wide programme to lower emissions and in turn improve air quality comes into force. It will be known as EcoDesign. The manufacturers within the Stove Industry Alliance (SIA) have chosen to design models which already meet the EcoDesign criteria now, to prove their commitment to lowering emissions and improving efficiencies. These stoves carry the SIA EcoDesign Ready label and have been independently tested and verified by HETAS. SIA EcoDesign Ready stoves are the most environmentally friendly stoves and offer lower particle emissions up to 90% better than those found in open fires, low CO emissions and higher efficiencies. More information and updates can be found by visiting: [www.stoveindustryalliance.co.uk](http://www.stoveindustryalliance.co.uk)



## CE CERTIFICATION

In line with current building regulations your installer will need to check that the appliance he is installing is CE approved. All of our stoves are fully CE approved and the appropriate certification is available to your installer by calling ACR Stoves on 0121 706 8266.

## DIRECT AIR SUPPLY

Many of our stoves can be connected to a direct air supply. This allows combustion air to be drawn into the stove directly from outside your home. Our direct air kit is designed for optimum performance with our stoves and is available from your local ACR dealer.



Optional direct air supply kit.



\*As part of our drive to continuously enhance our product range, additional SIA EcoDesign approved appliances will be added to our range - for the latest list of approved appliances, please visit [www.hetas.co.uk](http://www.hetas.co.uk)

## Stoves and the environment

Woodburning is a highly efficient way of heating your home. Wood is environmentally friendly as it consumes more carbon dioxide whilst growing as it emits when burning.

Throughout the world people are committed to reducing Co<sup>2</sup> emissions, and by choosing an ACR Stove you can make a difference too. Wood is also one of the few fuels which is renewable in our lifetime.



### SEASONING & STORING LOGS

We recommend that our customers select seasoned wood purchased from a sustainable forest management scheme, to ensure that the wood you use will be replaced using reliable methods. For more information please visit [www.acrstoves.com](http://www.acrstoves.com).

Trees contain a lot of water, freshly cut logs will contain about 50% water and will be difficult to burn and may cause excessive tar deposits on glass panels, stove components and the flue pipe. We recommend that logs should be cut to the required lengths and stored outside in a manner that allows air to circulate, but under cover so

they are protected from rain. If possible, it is always best to season the wood for two years before burning reducing water content to less than 20%.

### SOLID FUEL

We do not recommend the use of house coal or solid fuels with a petroleum content of more than 20% as these could cause damage to your stove and invalidate your warranty. You are advised to check the compatibility of the fuel you intend to use with your chosen stove prior to committing to buy. For independent advice on all fuel types, please contact the Solid Fuel Association on 01773 835400.

“We all have an obligation to protect the environment and preserve its future. Making informed energy decisions now will reflect in the environment around us in the years to come.”





# Wychwood

5kw

EEL classification for ecolabelling 2018 **A+**

With its contemporary styling the Wychwood wood-burning stove creates a stunning focal point in any home. Supplied as standard in a Sterling Grey paint finish the Wychwood features a large landscape door glass for an excellent view of the flames. With a powerful 5Kw output the Wychwood is designed to burn exceptionally cleanly. Featuring outstanding efficiency the Wychwood is EcoDesign Ready and smoke exempt, meaning that you can burn wood in smoke controlled zones. An optional pewter finish handle is also available for this stove.

When fitted, the optional heat shield allows for the stove to be installed 100mm away from combustible materials to the rear, and 250mm to the sides†.



## FEATURES AT A GLANCE

- Clearances to combustibles when used with the optional heat shield are 100mm to the rear and 250mm to the sides
- High quality steel construction for efficient heat transfer
- Smoke Exempt - you can now burn wood in smoke controlled zones
- 5kw nominal output - suitable for a wide range of room sizes
- Dedicated woodburning stove
- Large glass window for a relaxing view of the flames
- Very powerful airwash to help keep the glass panel free of deposits
- Available in Sterling Grey stove paint finish
- Sterling Grey handle supplied as standard - optional pewter finish handle available
- Matt black paint finish is available as an option
- Suitable for use on a 12mm hearth
- No additional room air ventilation required\*
- Optional direct air supply kit available (80mm spigot)\*\*
- 10 Year warranty



For information on maintaining your stoves finish and the range of ACR stovecare accessories, please see page 29.



The Wychwood features easy to use controls discreetly sited below the ash lip.



A pewter finish handle is also available as an option.

†Insulated flue pipe must be used to enclose the flue collar.

\*Depending on the age and type of property and should be confirmed with your installer.

\*\*Please refer to Document J of the Building Regulation and HETAS guidelines.

# Earlswood III 5kw

EEI classification for ecolabelling 2018 A+

The multifuel Earlswood III stove has all the wonderful, cosy atmosphere of a traditional woodburning stove - with a difference - being Smoke Exempt means that the Earlswood III can be used for woodburning in smoke controlled zones. So now you can enjoy a real crackling log fire wherever you live - whether the town or country.

The Earlswood III is also suitable for burning a range of smokeless fuels (please see page 6 for more details) and is equipped with a powerful airwash system to help keep the glass door panel clear of deposits, for an uninterrupted view of the fire.

## FEATURES AT A GLANCE

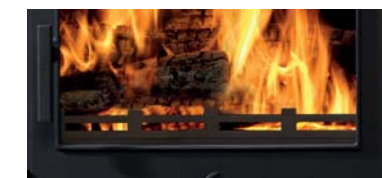
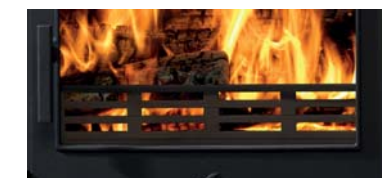
- High quality steel construction with solid cast iron door for strength and efficient heat transfer
- Smoke Exempt - you can now burn wood in smoke controlled zones
- 5kw nominal output - suitable for a wide range of room sizes
- Multifuel - can be used with wood and smokeless fuel (please see page 6 for more details)
- Large glass window for a relaxing view of the flames
- Very powerful airwash to help keep the glass panel free of deposits
- Adjustable log guard for either wood or solid fuel
- Matching log-store base option
- Available in Traditional Black stove paint finish
- Brushed steel handle available as an option
- Suitable for use on a 12mm hearth
- No additional room air ventilation required\*
- Optional direct air supply kit available (80mm spigot)\*\*
- 10 Year warranty



For information on maintaining your stoves finish and the range of ACR stovecare accessories, please see page 29.



A stylish and convenient log-store base is available for the Earlswood III as an option.



Log guard adapts from double to single height to accommodate different fuel loads on the Earlswood III stove.

A brushed steel handle option is also available.

\*Depending on the age and type of property and should be confirmed with your installer.

\*\*Please refer to Document J of the Building Regulation and HETAS guidelines.

# Malvern II 5kw

EEL classification for ecolabelling 2018 A+

The Malvern II stove brings a more contemporary style to the traditional stove, with a choice of standard legs or a log-store base option. All will keep you beautifully warm and cosy throughout the winter and those chilly summer evenings. Being Smoke Exempt means that the Malvern II can be used for woodburning in smoke controlled zones. So whether you live in the town or the country, you can now enjoy the pleasures of a real woodburning stove.

A range of smokeless fuels can also be burned on the Malvern II (please see page 6 for more details) which is also equipped with a powerful airwash to help keep the glass clean for a fantastic view of the fire.

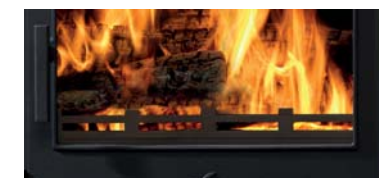
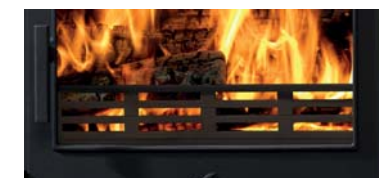


## FEATURES AT A GLANCE

- High quality steel construction with solid cast iron door for strength and efficient heat transfer
- Smoke Exempt - you can now burn wood in smoke controlled zones
- 5kw nominal output - suitable for a wide range of room sizes
- Multifuel - can be used with wood and smokeless fuel (please see page 6 for more details)
- Large glass window for a relaxing view of the flames
- Very powerful airwash to help keep the glass panel free of deposits
- Adjustable log guard for either wood or solid fuel
- Matching log-store base option
- Available in traditional black stove paint finish
- Brushed steel handle as standard - matt black available as an option
- Suitable for use on a 12mm hearth
- No additional room air ventilation required\*
- Optional direct air supply kit available (80mm spigot)\*\*
- 10 Year warranty



For information on maintaining your stoves finish and the range of ACR stovecare accessories, please see page 29.



Log guard adapts from double to single height to accommodate different fuel loads on all Malvern II stoves.



A stylish and convenient log-store base is available for the Malvern II as an option.

\*Depending on the age and type of property and should be confirmed with your installer.

\*\*Please refer to Document J of the Building Regulation and HETAS guidelines.



# Malvern II Classic 5kW

EEL classification for ecolabelling 2018 A+

With all the advanced features, build quality and style of the Malvern II stove, the Malvern II Classic introduces a touch of Regency charm with its elegantly sculpted lines. Being Smoke Exempt means that the Malvern II Classic can be used for woodburning in smoke controlled zones. So whether you live in the town or the country, you can now enjoy the pleasures of a real woodburning stove. The Malvern II Classic is equipped with a powerful airwash to help keep the glass clear of unsightly deposits for a fantastic view of the fire and is also suitable for use with a range of smokeless fuels (please see page 6 for more details).

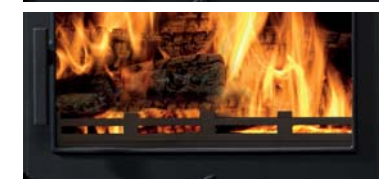
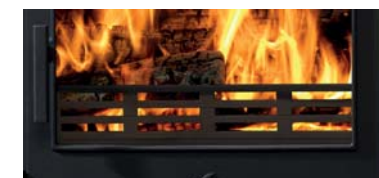


## FEATURES AT A GLANCE

- High quality steel construction with solid cast iron door for strength and efficient heat transfer
- Smoke Exempt - you can now burn wood in smoke controlled zones
- 5kw nominal output - suitable for a wide range of room sizes
- Multifuel - can be used with wood and smokeless fuel (please see page 6 for more details)
- Large glass window for a relaxing view of the flames
- Very powerful airwash to help keep the glass panel free of deposits
- Adjustable log guard for either wood or solid fuel
- Available in Traditional Black stove paint finish
- Brushed steel handle
- Suitable for use on a 12mm hearth
- No additional room air ventilation required\*
- Optional direct air supply kit available (80mm spigot)\*\*
- 10 Year warranty



For information on maintaining your stoves finish and the range of ACR stovecare accessories, please see page 29.



Malvern II Classic log guard adapts from double to single height to accommodate different fuel loads.

\*Depending on the age and type of property and should be confirmed with your installer.

\*\*Please refer to Document J of the Building Regulation and HETAS guidelines.





# Astwood II 5kw

EEI classification for ecolabelling 2018 A+

Designed to look at home in slightly larger fireplaces and settings, the Astwood II is constructed with the same high quality materials and attention to detail that ACR are renowned for - featuring a solid cast iron door and a powerful airwash system to keep the large ceramic glass panel clear of unsightly deposits.

With the ability to burn either wood or solid fuel (please see page 6 for more details), and being Smoke Exempt to allow burning wood in smoke controlled zones, the Astwood II is also a very practical way to heat your home.

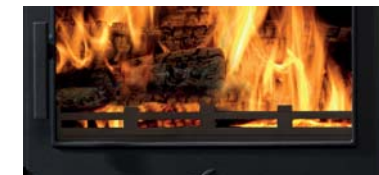
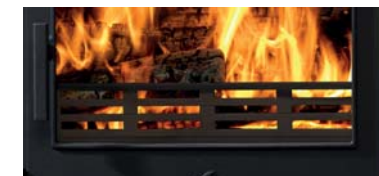


## FEATURES AT A GLANCE

- High quality steel construction with solid cast iron door for strength and efficient heat transfer
- Smoke Exempt - you can now burn wood in smoke controlled zones
- 5kw nominal output - suitable for a wide range of room sizes
- Multifuel - can be used with wood and smokeless fuel (please see page 6 for more details)
- Large glass window for a relaxing view of the flames
- Very powerful airwash to help keep the glass panel free of deposits
- Adjustable log guard for either wood or solid fuel
- Available in Traditional Black stove paint finish
- Brushed steel handle available as an option
- Suitable for use on a 12mm hearth
- No additional room air ventilation required\*
- Optional direct air supply kit available (80mm spigot)\*\*
- 10 Year warranty



For information on maintaining your stoves finish and the range of ACR stovecare accessories, please see page 29.



The Astwood II log guard adapts from double to single height to accommodate different fuel loads.

A brushed steel handle option is also available.

\*Depending on the age and type of property and should be confirmed with your installer.

\*\*Please refer to Document J of the Building Regulation and HETAS guidelines.



# Buxton II 5kw

EEI classification for ecolabelling 2018 A+

Clean, contemporary styling makes the Buxton II stove the perfect complement for less traditional rooms.

The Buxton II also features a solid cast iron door and a powerful airwash system to keep the large ceramic glass panel clear of unsightly deposits.

Being Smoke Exempt means that you can burn wood in smoke controlled zones and can also burn a variety of smokeless fuels (please see page 6 for more details) making it also a very practical way of heating your home.

## FEATURES AT A GLANCE

- High quality steel construction with solid cast iron door for strength and efficient heat transfer
- Smoke Exempt - you can now burn wood in smoke controlled zones
- 5kw nominal output - suitable for a wide range of room sizes
- Multifuel - can be used with wood and smokeless fuel (please see page 6 for more details)
- Large glass window for a relaxing view of the flames
- Very powerful airwash to help keep the glass panel free of deposits
- Adjustable log guard for either wood or solid fuel
- Available in Traditional Black stove paint finish
- Brushed steel handle as standard - matt black available as an option
- Suitable for use on a 12mm hearth
- No additional room air ventilation required\*
- Optional direct air supply kit available (80mm spigot)\*\*
- 10 Year warranty



For information on maintaining your stoves finish and the range of ACR stovecare accessories, please see page 29.



*Log guard adapts from double to single height to accommodate different fuel loads on the Buxton II stove.*

\*Depending on the age and type of property and should be confirmed with your installer.  
 \*\*Please refer to Document J of the Building Regulation and HETAS guidelines.



# Hopwood **6kW**

EEI classification for ecolabelling 2018 **A**

The Hopwood multifuel stove features a 6Kw output and with its panoramic wide styling and large glass door brings a new dimension to the traditional stove. Being Smoke Exempt allows you to burn wood in smoke controlled zones - whether town or country.

A range of smokeless fuels can also be burned to give you plenty of fuel options and a reliable way to heat your home (please see page 6 for more details).

The Hopwood is equipped with a powerful airwash to help keep the wide glass window clear of combustion deposits and show off the fire to its fullest effect.

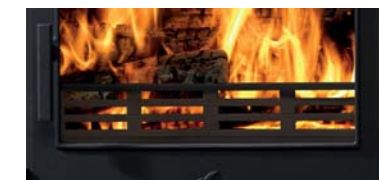


## FEATURES AT A GLANCE

- High quality steel construction with solid cast iron door for strength and efficient heat transfer
- Smoke Exempt - you can now burn wood in smoke controlled zones
- 6kw nominal output - suitable for a wide range of room sizes
- Multifuel - can be used with wood and smokeless fuel (please see page 6 for more details)
- Panoramic wide glass window for a relaxing view of the flames
- Very powerful airwash to help keep the glass panel free of deposits
- Adjustable log guard for either wood or solid fuel
- Available in Traditional Black stove paint finish
- Brushed steel handle as standard - matt black available as an option
- Suitable for use on a 12mm hearth
- Optional direct air supply kit available (80mm spigot)\*\*
- 10 Year warranty



For information on maintaining your stoves finish and the range of ACR stovecare accessories, please see page 29.



Log guard adapts from double to single height to accommodate different fuel loads on the Hopwood stove.

\*\*Please refer to Document J of the Building Regulation and HETAS guidelines.

• As per approved document J of the building regs and HETAS guidelines, room ventilation may be required. Your HETAS approved installer will clarify this for you.

# Tenbury T400 **5kw**

EEL classification for ecolabelling 2018 **A+**

The Tenbury T400 insert is the perfect solution for enjoying real stove ambience in a standard 16" fireplace opening. Featuring attractive, contemporary styling with the option of either a three or four sided frame to suit your installation. The Tenbury T400 can take logs up to 25cm long or smokeless fuel (please see page 6 for more details). A powerful airwash helps to keep the glass clear giving you a stunning view of the flames. As a Smoke Exempt appliance, the Tenbury T400 can be used to burn wood in smoke controlled areas making this a very versatile solution to room heating.

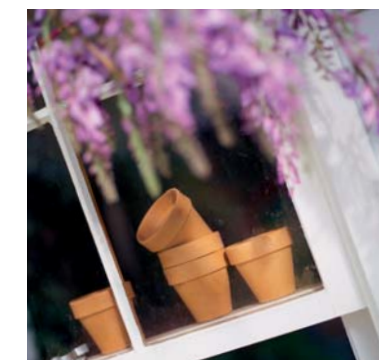


## FEATURES AT A GLANCE

- High quality steel construction for strength and efficient heat transfer
- Designed for easy installation into a standard 16" fireplace opening
- Smoke Exempt - you can now burn wood in smoke controlled zones
- 5kw nominal output - suitable for a wide range of room sizes
- Acumotte ceramic lining
- Multifuel - can be used with wood and smokeless fuel (please see page 6 for more details)
- Large glass window for a relaxing view of the flames
- Available with a 3 sided or 4 sided frame to suit your installation
- Very powerful airwash to help keep the glass panel free of deposits
- Available in Traditional Black stove paint finish
- Brushed steel handle
- No additional room air ventilation required\*
- 10 Year warranty



For information on maintaining your stoves finish and the range of ACR stovecare accessories, please see page 29.



\*Depending on the age and type of property and should be confirmed with your installer.

# Tenbury T550 **5kw**

EEL classification for ecolabelling 2018 **A+**

The Tenbury T550 features the same contemporary styling as the T400 but with a wider firebox.

A removable convection outerbox makes for straightforward installation with the option of either a three or four sided frame to suit your setting. The Tenbury T550 can handle logs up to 40cm long or smokeless fuel (please see page 6 for more details).

A powerful airwash helps to keep the glass clear giving you a stunning view of the flames. As a Smoke Exempt appliance, the Tenbury T550 can be used to burn wood in smoke controlled areas making this a very versatile solution to room heating.



## FEATURES AT A GLANCE

- High quality steel construction for strength and efficient heat transfer
- Smoke Exempt - you can now burn wood in smoke controlled zones
- 5kw nominal output - suitable for a wide range of room sizes
- Acummotte ceramic lining
- Multifuel - can be used with wood and smokeless fuel (please see page 6 for more details)
- Large glass window for a relaxing view of the flames
- Available with a 3 sided or 4 sided frame to suit your installation
- Very powerful airwash to help keep the glass panel free of deposits
- Available in Traditional Black stove paint finish
- Brushed steel handle
- No additional room air ventilation required\*
- Optional direct air supply kit available (80mm spigot)\*\*
- 10 Year warranty



For information on maintaining your stoves finish and the range of ACR stovecare accessories, please see page 29.



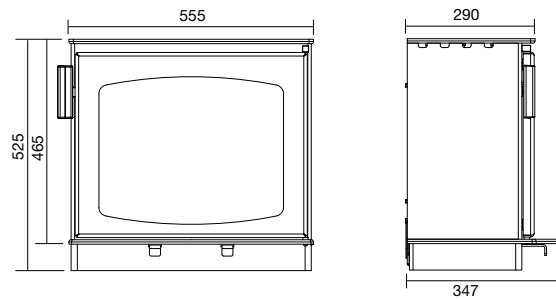
\*Depending on the age and type of property and should be confirmed with your installer.

\*\*Please refer to Document J of the Building Regulation and HETAS guidelines.

# Stove technical specifications

All dimensions are quoted in mm unless stated otherwise.

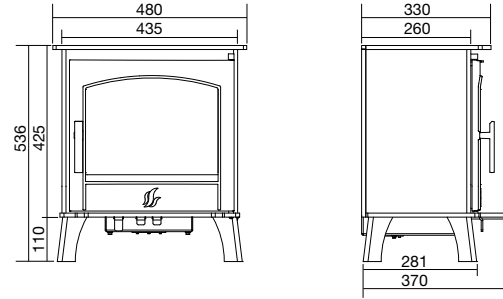
## Wychood



Fuel	Wood
Nominal Output	5 kw
Output - Min / Max	3 kw / 6.5 kw
Net Efficiency	82.2%
Gross Efficiency	75.1%
Max Hearth Temp	Less than 100°C
Weight	90 kg
Max Log Size	35 cm
Flue Diameter	125 mm (inside dia)
Flue Location	Top or Rear
Floor to centre of rear flue outlet	422 mm
Rear of stove to centre top flue outlet	127 mm*
Construction	Steel
EEl classification for ecolabelling 2018	A+

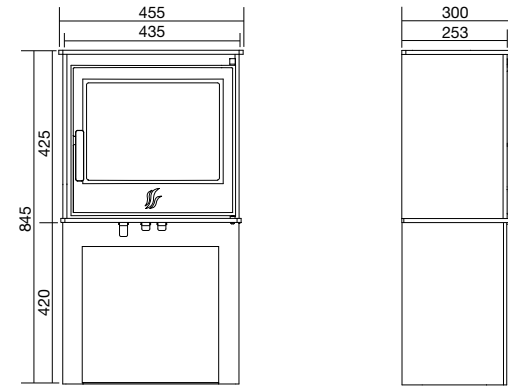
\*This distance will increase if the optional heat shield is installed.

## Earlwood III



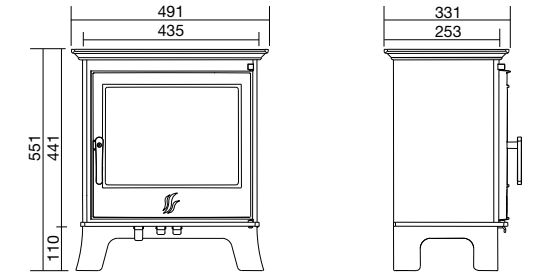
Fuel	Wood and Solid Fuel
Nominal Output	5 kw
Output - Min / Max	2.5 kw / 6.5 kw
Net Efficiency	84.3%
Gross Efficiency	76.7%
Max Hearth Temp	Less than 100°C
Weight	80 kg
Max Log Size	35 cm
Flue Diameter	125 mm (inside dia)
Flue Location	Top or Rear
Floor to centre of rear flue outlet	430 mm
Rear of stove to centre top flue outlet	105 mm
Construction	Cast Iron and Steel
EEl classification for ecolabelling 2018	A+

## Malvern II LS



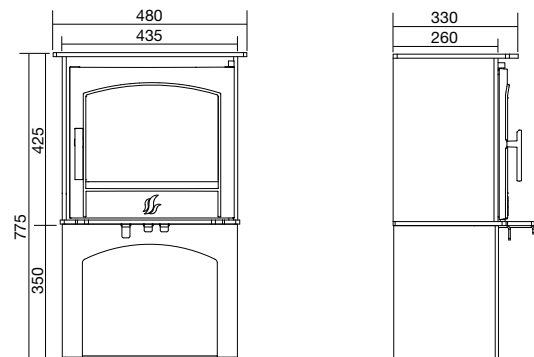
Fuel	Wood and Solid Fuel
Nominal Output	5 kw
Output - Min / Max	2.5 kw / 6.5 kw
Net Efficiency	84.3%
Gross Efficiency	76.7%
Max Hearth Temp	Less than 100°C
Weight	100 kg
Max Log Size	35 cm
Flue Diameter	125 mm (inside dia)
Flue Location	Top or Rear
Floor to centre of rear flue outlet	740 mm
Rear of stove to centre top flue outlet	105 mm
Construction	Cast Iron and Steel
EEl classification for ecolabelling 2018	A+

## Malvern II Classic



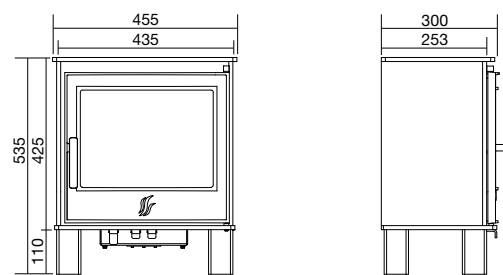
Fuel	Wood and Solid Fuel
Nominal Output	5 kw
Output - Min / Max	2.5 kw / 6.5 kw
Net Efficiency	84.3%
Gross Efficiency	76.7%
Max Hearth Temp	Less than 100°C
Weight	80 kg
Max Log Size	35 cm
Flue Diameter	125 mm (inside dia)
Flue Location	Top or Rear
Floor to centre of rear flue outlet	430 mm
Rear of stove to centre top flue outlet	105 mm
Construction	Cast Iron and Steel
EEl classification for ecolabelling 2018	A+

## Earlwood III LS



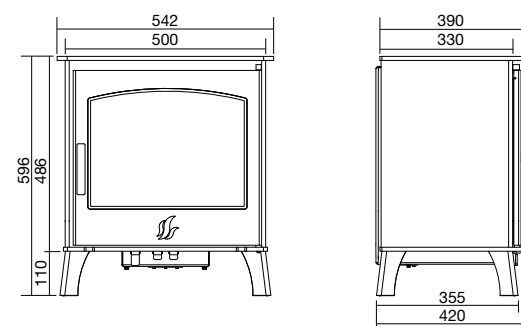
Fuel	Wood and Solid Fuel
Nominal Output	5 kw
Output - Min / Max	2.5 kw / 6.5 kw
Net Efficiency	84.3%
Gross Efficiency	76.7%
Max Hearth Temp	Less than 100°C
Weight	101 kg
Max Log Size	35 cm
Flue Diameter	125 mm (inside dia)
Flue Location	Top or Rear
Floor to centre of rear flue outlet	669 mm
Rear of stove to centre top flue outlet	105 mm
Construction	Cast Iron and Steel
EEl classification for ecolabelling 2018	A+

## Malvern II



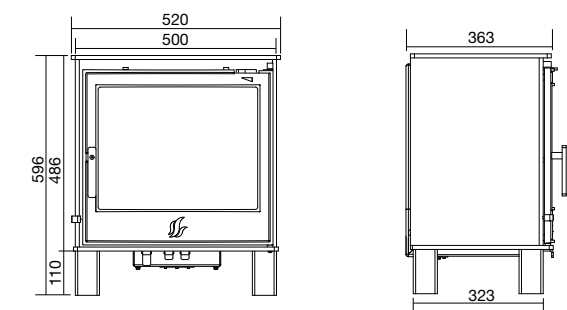
Fuel	Wood and Solid Fuel
Nominal Output	5 kw
Output - Min / Max	2.5 kw / 6.5 kw
Net Efficiency	84.3%
Gross Efficiency	76.7%
Max Hearth Temp	Less than 100°C
Weight	80 kg
Max Log Size	35 cm
Flue Diameter	125 mm (inside dia)
Flue Location	Top or Rear
Floor to centre of rear flue outlet	430 mm
Rear of stove to centre top flue outlet	105 mm
Construction	Cast Iron and Steel
EEl classification for ecolabelling 2018	A+

## Astwood II



Fuel	Wood and Solid Fuel
Nominal Output	5 kw
Output - Min / Max	3.5 kw / 8 kw
Net Efficiency	82%
Gross Efficiency	80.36%
Max Hearth Temp	Less than 100°C
Weight	95 kg
Max Log Size	42 cm
Flue Diameter	125 mm (inside dia)
Flue Location	Top or Rear
Floor to centre of rear flue outlet	485 mm
Rear of stove to centre top flue outlet	110 mm
Construction	Cast Iron and Steel
EEl classification for ecolabelling 2018	A+

## Buxton II

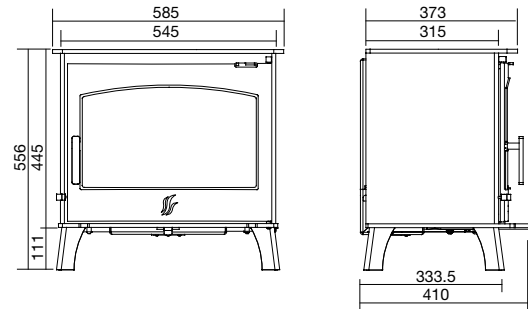


Fuel	Wood and Solid Fuel
Nominal Output	5 kw
Output - Min / Max	3.5 kw / 8.5 kw
Net Efficiency	82%
Gross Efficiency	80.36%
Max Hearth Temp	Less than 100°C
Weight	95 kg
Max Log Size	42 cm
Flue Diameter	125 mm (inside dia)
Flue Location	Top or Rear
Floor to centre of rear flue outlet	485 mm
Rear of stove to centre top flue outlet	110 mm
Construction	Cast Iron and Steel
EEl classification for ecolabelling 2018	A+

## Stove technical specifications

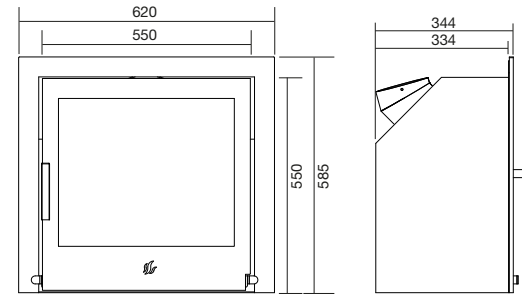
All dimensions are quoted in mm unless stated otherwise.

### Hopwood



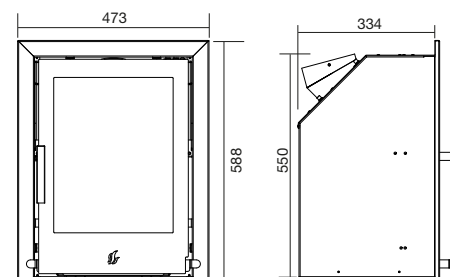
Fuel	Wood and Solid Fuel
Nominal Output	6 kw
Output - Min / Max	3.5 kw / 8.5 kw
Net Efficiency	77%
Gross Efficiency	70%
Max Hearth Temp	Less than 100°C
Weight	85 kg
Max Log Size	45 cm
Flue Diameter	125 mm (inside dia)
Flue Location	Top or Rear
Floor to centre of rear flue outlet	447 mm
Rear of stove to centre top flue outlet	113 mm
Construction	Cast Iron and Steel
EEl classification for ecolabelling 2018	A

### Tenbury T550



Fuel	Wood and Solid Fuel
Nominal Output	5 kw
Output - Min / Max	3 kw / 7 kw
Net Efficiency	82.9%
Gross Efficiency	75.4%
Max Hearth Temp	More than 100°C
Weight	75 kg
Max Log Size	40 cm
Flue Diameter	125 mm (inside dia)
Flue Location	Top
Floor to centre of rear flue outlet	N/A
Rear of stove to centre top flue outlet	75 mm
Construction	Steel
EEl classification for ecolabelling 2018	A+

### Tenbury T400



Fuel	Wood and Solid Fuel
Nominal Output	5 kw
Output - Min / Max	2.5 kw / 6.5 kw
Net Efficiency	82.9%
Gross Efficiency	75.4%
Max Hearth Temp	More than 100°C
Weight	60 kg
Max Log Size	25 cm
Flue Diameter	125 mm (inside dia)
Flue Location	Top
Floor to centre of rear flue outlet	N/A
Rear of stove to centre top flue outlet	75 mm
Construction	Steel
EEl classification for ecolabelling 2018	A+



## Stove installation

The installation must be carried out by a competent person registered with a Government approved competent persons scheme. For example, HETAS Ltd operate a competent person scheme - please visit [www.hetas.co.uk](http://www.hetas.co.uk) to learn more and to find a qualified installer. Alternatively, the installation can be carried out under Local Authority Building Control approval.

## Stove warranty information

### 10 YEAR WARRANTY



All ACR Stoves are covered by a 10 year warranty which covers all stove body castings, it does not include consumable items such as glass and door seals. This 10 year warranty is only applicable when the stove is purchased from one of our recommended retailers.

If a stove from any of our brands is purchased from a non-recommended retailer then only a 12 month warranty will be applicable as outlined below.

All stoves are covered by a 1 year warranty when purchased through a non-recommended retailer. The warranty covers the stove body castings only and does not include consumable items such as grates, firebricks, vermiculite panels, baffles, log guards, door rope and glass.

Any warranty claims should be addressed to your original supplier and accompanied with the date of purchase and serial number of the appliance.



## Stove accessory range

### KEEPING YOUR STOVE IN TIP-TOP CONDITION

Our stoves are carefully engineered for many years of trouble free service. The stove exterior can be cleaned by wiping with a damp cloth, once the paint finish has initially cured, and when the stove has cooled. To keep your stove looking its best and working efficiently we offer a range of products and consumable spare parts specifically designed for maintaining your stove.

### ACR TRADITIONAL STOVE PAINT

A premium quality temperature resistant paint designed for keeping the appearance of all stove paint finish stoves looking as-new. The environmentally friendly spray makes application to your stove straightforward and with a heat resistant rating up to 650°C you can be assured of a long lasting quality finish on your stove.



### ACR GLASSBRIGHT DOOR GLASS CLEANER

Specially formulated to make cleaning your stoves glass as easy as possible. Unsightly deposits can build up from burning unseasoned wood or non-recommended solid fuels, spoiling the view of the fire. Regular cleaning with Glassbright will assist by dissolving away these stubborn deposits and make cleaning much easier.



### DOOR SEALS

It is important that door seals are maintained to ensure your stove is operating at maximum efficiency. Your supplying stove dealer will stock new door rope seals for your ACR stove. We recommend that you replace the seal if the current one is showing excessive signs of wear and tear, or damage.



### SPARE PARTS

A wide range of spare parts are available from stock for your ACR stove. Should you encounter a problem and require parts, please contact your supplying dealer.



Wychwood • 5 Kw - see page 8.





Astwood II • 5 Kw - see page 16.

Your local ACR dealer:



Issue 7 / September 2018

**ACR**  
**STOVES**

ACR Heat Products Limited, Unit 1, Weston Works,  
Weston Lane, Tyseley Birmingham B11 3RP, England.

- Tel: 0121 706 8266
- E-mail: [enquiries@acrheatproducts.co.uk](mailto:enquiries@acrheatproducts.co.uk)
- Fax: 0121 706 9182
- [www.acrstoves.com](http://www.acrstoves.com)



Scan code with your mobile device for more information



All installations shown in this brochure are for illustrative purposes only. All actual installations must comply with the latest building regulations and ACR Heat Products Ltd installation manuals. Please note that due to limitations of the printing process, colour reproduction of the stoves may vary slightly from those shown. Please consult your dealer for more accurate colour matching. ACR Heat Products Ltd reserves the right to amend any specifications herein or to make any product design changes. The specifications, dimensions and information shown within our brochures are provided for information purposes only and are not binding. With the aim of constantly improving our equipment, all modifications considered necessary may be made without notice.